

*Lopi*<sup>TM</sup>

Linear Gas Fireplace Range



# Lopi Fireplaces

Lopi Fireplaces have been skillfully manufactured in the USA since 1980 by America's largest privately owned fireplace company, Travis Industries. The 11 acre manufacturing facility in Mukilteo, Washington State, aptly named "The House of Fire" employs up to 600 employees and is located just 30 minutes north of Seattle. All Fireplaces have industry leading warranties and customer service and support.

Lopi fireplaces have been warming Australian homes for more than 30 years and are sold exclusively at over 75 fireplace specialists throughout the country.

---

## How Do You Say Lopi?

**Lopi** [low-pie]

*noun*

1. Beauty, strength and independence.

---

We hear a lot of different pronunciations - Lopey...Loopee...Loppy!  
It's actually pronounced "Low-Pie" and was created by the president of Travis Industries, Kurt Rumens.  
Lopi means beauty, strength and independence and has become a legend in its own right.



## **ProBuilder™ Linear Gas Series** | See Pages 6-9

The ProBuilder™ series represents Lopi's entry level linear gas fireplace range. All models feature large viewing areas with multiple media options and are available in 3 sizes. PB42 - 1163mm, PB54 - 1467mm or PB72 - 1924mm wide.

## **Premium ProBuilder™ Linear Gas Fireplace** | See Pages 10-11

The Premium ProBuilder™ Series includes all of the features and media options of the Premium HO Range just with a little less heat.

## **Premium HO Linear Gas Fireplaces** | See Pages 14-23

The Premium Series represents fully featured GreenSmart® 2 fireplaces in a linear style. All models feature high heat output, discreet safety screens, 6 speed fans, multiple media & finishing options and beautiful under-lighting.





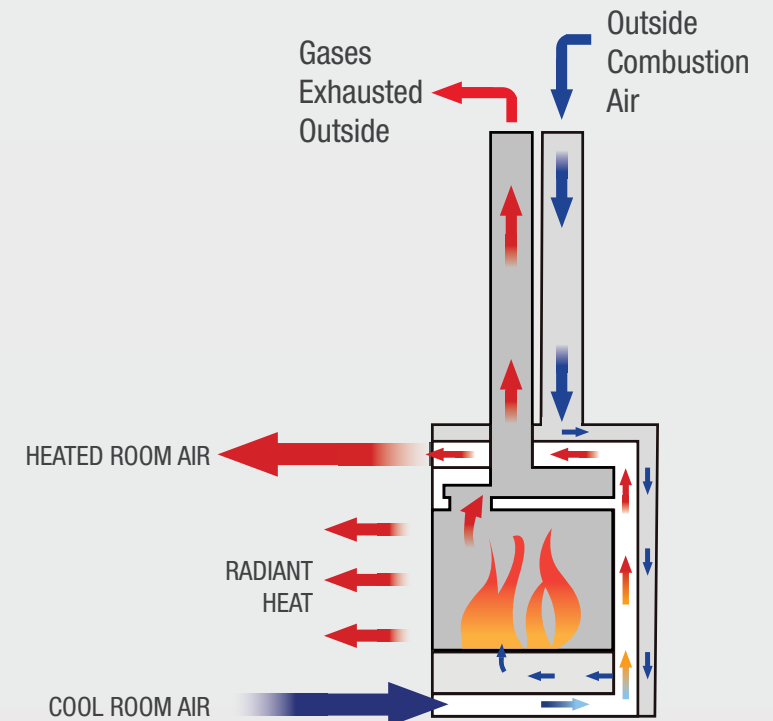
## 'No Power Required'

### Natural Draft Direct Vent Technology

Every Lopi gas fireplace features  
'Natural Draft Direct Vent Technology'

This process naturally draws fresh air into the firebox from outside and removes all exhaust gases back outside without effecting the air quality in the room.

Best of all, this technology means that this process does not require power which makes for a quiet, reliable fireplace that can even be used during a power outage.



## CoolSmart™ Wall - Design Flexibility

The unique features of CoolSmart™ Wall allows you to sit back and watch your television in complete comfort and silence. When you switch off the fans on your Lopi fireplace you can enjoy the radiant heat and beautiful flames whilst the CoolSmart system safely pulls the heat away to a wall mounted vent acting as a “powerless fan”.

The CoolSmart™ system is available as either a top vent (vent above the fireplace) or as a side vent configuration where vents are mounted to either side of the fireplace enclosure.



CoolSmart™ Wall Side Vent Option

- TV or Artwork - No Recess Required
- Reduced Clearances Above Fireplace to TV or Artwork
- Finish Your Wall with a Combustible Material\*
- Hang artwork or TV without a deflector shelf



CoolSmart™ Wall Top Vent Option

\*Lopi Linear Range Only - When combustible is mounted to 1/2" Non Combustible Board

# ProBuilder™ Linear Series - Features

## GreenSmart® Basic Technology

The GreenSmart® Basic burner system means simple reliable fireplace performance every time. Easy on/off operation via included wall switch / flip down control panel or with optional remote upgrade featuring thermostat functionality.

## Economical Performance

The ProBuilder Linear range uses less gas than the Premium HO range but thanks to the slim firebox depth and baffle design there's still plenty of heat, it's just even more economical to run.

## Flush Design - Clear Fire Safety Screen

A very fine mesh safety screen is included on every Lopi gas fireplace. This mesh is strong but so fine that it does not interrupt the view of your fireplace. The screen is mounted 25mm from the ceramic glass so any potential danger is eliminated.



Fine mesh 'Clear Fire Safety Screen' - Almost Invisible!

## Same Lopi Quality - Lower Price Point

The ProBuilder™ Linear range is built in the same factory and with the same quality as our range of premium models, there is just a few less features. For those that want the incredible beauty of a Lopi fireplace there are now three models to select from.

## Quiet Fans

Each Lopi ProBuilder™ fireplace features quiet dual fans that are controlled by a full variable dial in the flip down control panel. The fans can even be turned off completely when relaxing in front of the TV providing complete control.



Lopi ProBuilder™ 72 GSB - Rock Embers, Tumbled Stone

# Lopi ProBuilder™ 42 & 54 GSB

The ProBuilder 42 & 54 Linear Gas Fireplaces are the perfect choice for anyone seeking a beautiful, reliable and economical way to heat their home. The 42 model is the smallest in this range but at over 1150mm wide...it's not small! The 54 Model is over 1450mm wide which works perfectly with a 65" Television. Designed to provide comforting radiant heat plus excellent natural convection to homes and living spaces up to 100sqm\* (42) and up 150sqm\* (54).

## ProBuilder™ 42

**Heating Capacity:** Up to 100Sqm\*  
**Mj Input:** High 26Mj NG & LPG  
Low NG & LPG 14Mj  
**Max kW Output:** 4.62  
**Viewing Screen:** 1163mm wide x 521mm high

## ProBuilder™ 54

**Heating Capacity:** Up to 150Sqm\*  
**Mj Input:** High 34.8Mj NG & LPG  
Low NG 19.2Mj | LPG 18Mj  
**Max kW Output:** 5.98  
**Viewing Screen:** 1467mm wide x 521mm high



See Page 9 for ProBuilder™ Linear Series Finishing Options



\*Heating capacity varies according to the size of closed off area, ceiling height, floor plan, insulation and outside air temperature

# Lopi ProBuilder™ 72 GSB

The ProBuilder™ 72 GSB is over 1.9 metres wide and one of the longest linear or landscape style fireplaces available and the largest in the ProBuilder™ Series. The ProBuilder™ 72 GSB is the perfect choice for anyone seeking a beautiful, reliable and economical way to heat their home.

This model features sleek, elegant styling and a contemporary fire viewing area that showcases tall dancing flames. This fireplace is designed to provide comforting radiant heat plus excellent natural convection to homes and living spaces up to 200sqm.

**Heating Capacity:** Up to 200Sqm\*

**Mj Input:** High 43.8Mj NG & LPG  
Low NG 23.1Mj | LPG 22.3Mj

**Max kW Output:** 6.56

**Viewing Screen:** 1924mm wide x 521mm high



See Page 9 for ProBuilder™ Linear Series Finishing Options



Lopi ProBuilder™ 72 GSB - Rock Embers, Tumbled Stone

\*Heating capacity varies according to the size of closed off area, ceiling height, floor plan, insulation and outside air temperature



# ProBuilder™ Linear - Fuel Bed Options

## Rock Embers & Glass Colours (One Option Required)

Your Lopi ProBuilder™ Linear Fireplace ships as standard with your choice of 4 glass colours or rock embers options for the floor of the fireplace. (Note: Rock Embers do not allow Accent Lighting to shine through on ProBuilder™ 72 GS2 model)



Black Reflective Glass



Platinum Reflective Glass



Bronze Reflective Glass



Cobalt Reflective Glass



Rock Embers



Traditional Log



Driftwood Twig & Stone Fyre-Art™ (Not Available on GSB Models)



Tumbled Stone



Glass Only

## Fireback Liners

Rear glass fire-back liners are available on all ProBuilder™ Linear models and enhance the flame effect of the fireplace dramatically, seemingly doubling the amount of flames seen within the fire.



Black Glass Fire Liner - Close-up

## GreenSmart® Basic Remote

The GreenSmart Basic remote is available on all ProBuilder™ models and allows you to set an on/off thermostat and switch your fireplace on or off without getting up!



# Premium ProBuilder™ Linear Series - Features

## GreenSmart® 2 Technology

The Lopi Premium ProBuilder™ Series is fully equipped with the latest GreenSmart 2 Technology. This allows you to take control of all the GreenSmart features from your thermostat remote control.

## Accent Lighting

The accent lighting allows under lighting to shine through the glass fuel bed for additional ambient lighting and to enhance the flame effect. These lights can be controlled from off up to 6 levels in intensity to suit your mood.



## Symmetrical Fascia

As the Premium ProBuilder™ Series is controlled entirely by remote it does not require controls on the standard flip down control panel. This results in a very contemporary symmetrical fascia.

## Clear Fire Safety Screen

A very fine mesh safety screen is included on every Lopi gas fireplace. This mesh is strong but so fine that it does not interrupt the view of your fireplace. The screen is mounted 25mm from the ceramic glass so any potential danger is eliminated.

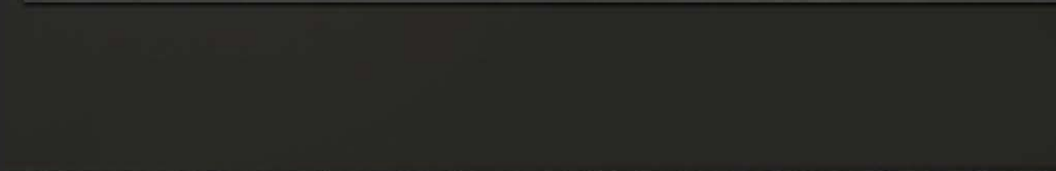
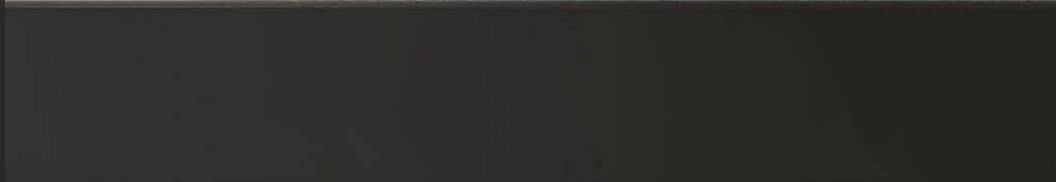
## Optional Birch & Driftwood Log Media



Birch Log



Driftwood Log



See GreenSmart® Features on Page 14

# Lopi Premium ProBuilder™ 72 GS2

The ProBuilder™ 72 GS2 features everything available on the 72 GSB model with the addition of GreenSmart® 2 technology. It is over 1.9 metres wide and comes standard with Accent Lighting, GreenSmart® 2 Remote, additional media options and a symmetrical fascia.

This fireplace is designed to provide comforting radiant heat plus excellent natural convection to homes and living spaces up to 200sqm with all the benefits of our premium features.

**Heating Capacity:** Up to 200Sqm\*

**Mj Input:** High 43.8Mj NG & LPG  
Low NG 23.1Mj | LPG 22.3Mj

**Max kW Output:** 6.56

**Viewing Screen:** 1924mm wide x 521mm high



See Page 9 for ProBuilder™ Linear Series Finishing Options



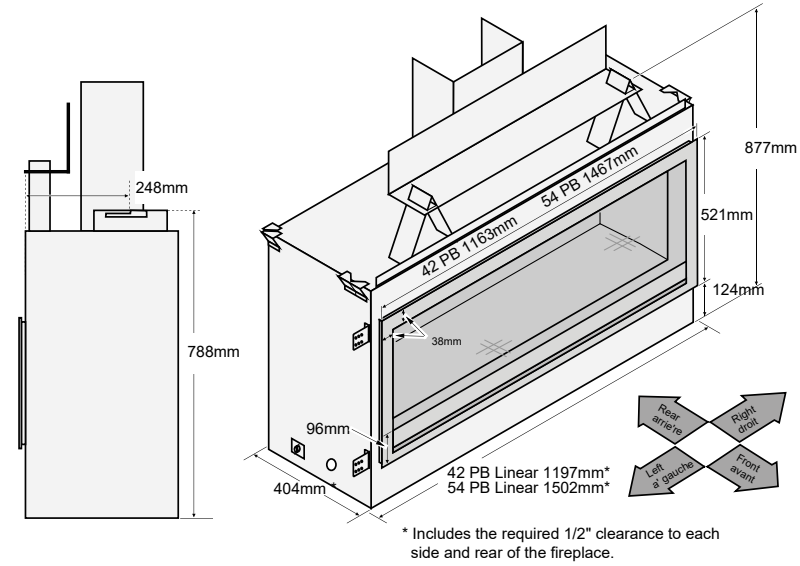
Lopi ProBuilder™ 72 GS2 - Bronze Glass, Tumbled Stone, Black Glass Fireback Liner

\*Heating capacity varies according to the size of closed off area, ceiling height, floor plan, insulation and outside air temperature

# ProBuilder™ Linear Range - Dimensions

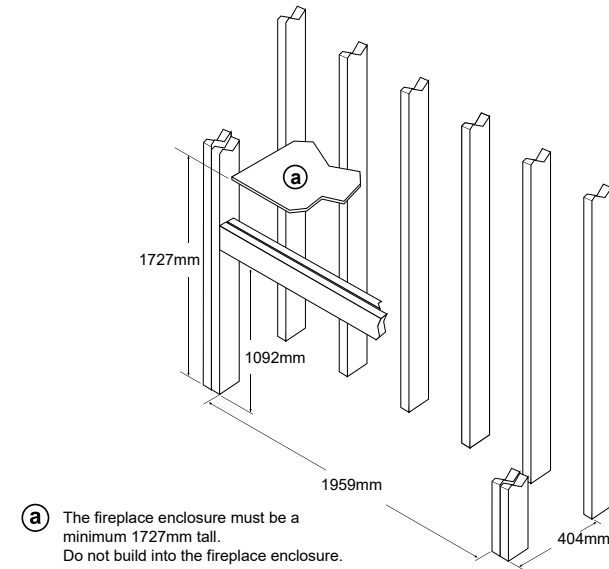
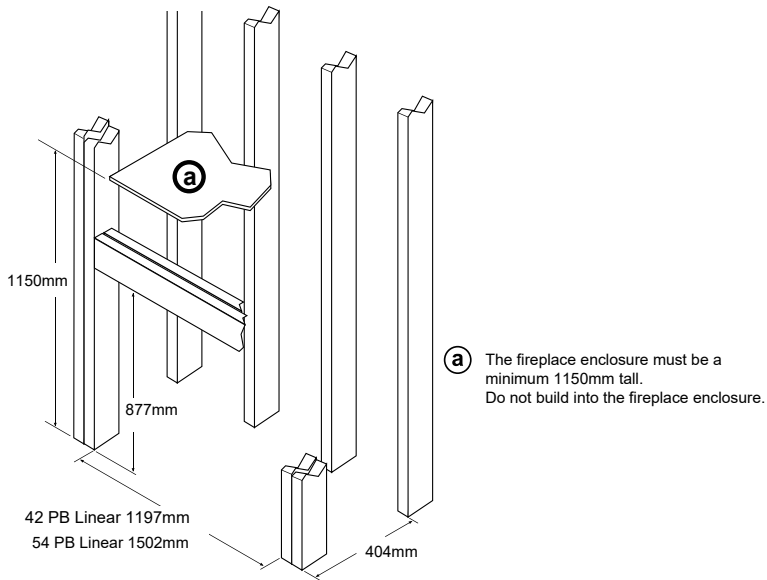
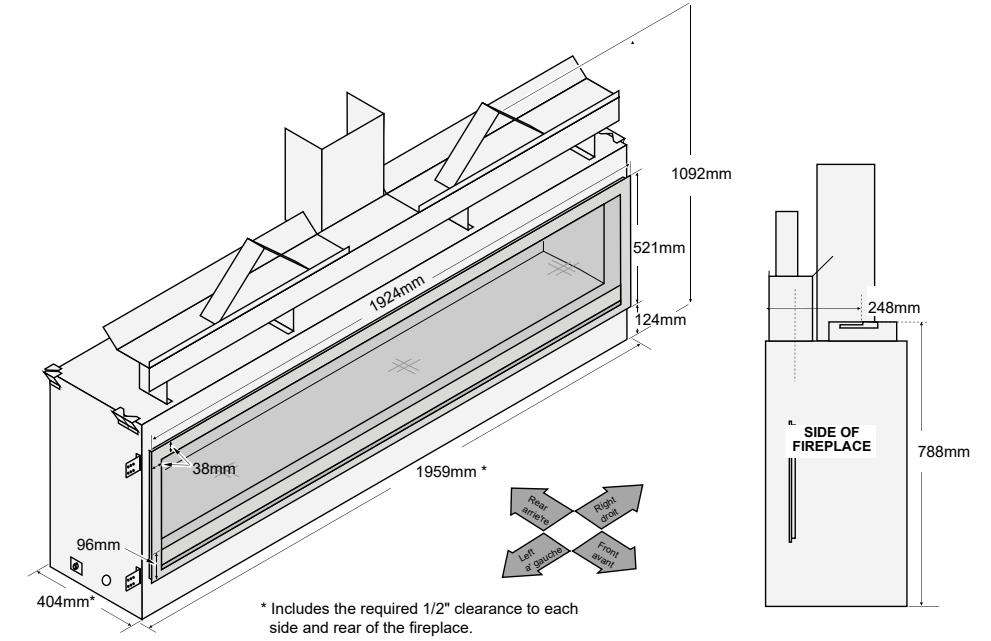
## Lopi ProBuilder 42 & 54GSB

See Installation Manual for full clearances



## Lopi ProBuilder 72GSB & GS2

See Installation Manual for full clearances



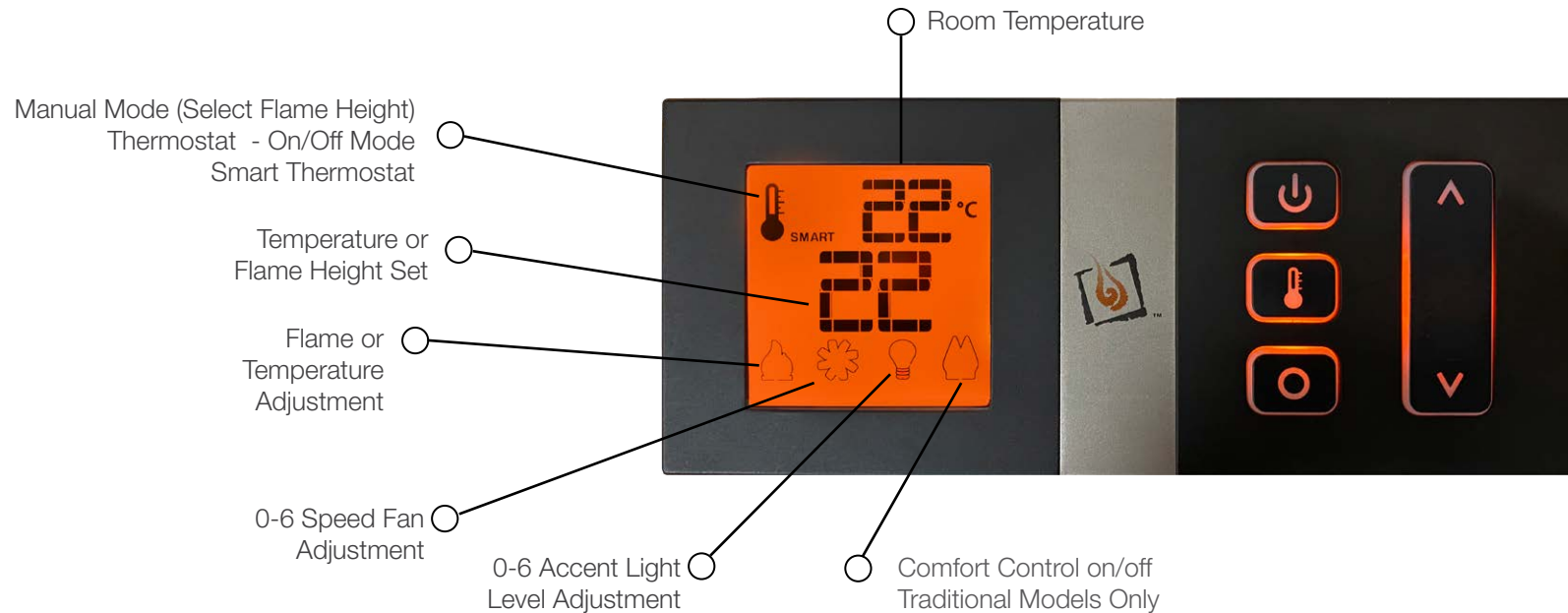


Lopi 6015 HO GS2 - Platinum Glass, Black Glass Fireback Liner & 10mm Trim

# Premium Series GreenSmart® 2 Features



Every Premium Lopi fireplace features GreenSmart® 2 Technology - the most advanced burner system available. The GreenSmart® 2 system allows full control of your Premium Lopi fireplace by remote control. You can select a thermostat mode, flame height, accent light level or choose between the six fan speeds or even switch off the fans completely.



## GreenSmart 2™ Featuring

- **GreenSmart® Remote** - A remote control supplied as standard allowing you to control the GreenSmart 2™ features
- **GreenSmart® Pilot** - Both electronic (IPI) & continuous (CPI) pilot modes
- **Accent lighting** - Adding a warm glow to your fire for added atmosphere
- **Smart or On/Off Thermostat Modes** - An option that automatically adjusts flame height to a set temperature and switch on/off
- **6 Speed Blower** - For increased transfer of convection heat

# Premium HO Linear Series - Features

## Tall Dancing Flames

Lopi linear gas fireplaces feature beautiful tall flames filling the firebox. These tall flames surpass any other fireplace available.

## Ceramic Glass

Ceramic glass increases the radiant heat emitted from your fireplace. Switch off the fans and benefit from the silent heat it produces.

## High Heat Output

Every Lopi Premium Linear Fireplaces is a high heat output unit. The combination of ceramic glass, gas input and powerful blowers make these fireplaces unbeatable heaters when required.

## Clear Fire Safety Screen

A very fine mesh safety screen is included on every Lopi gas fireplace. This mesh is strong but so fine that it does not interrupt the view of your fireplace. The screen is mounted 25mm from the ceramic glass so any potential danger is eliminated.



Fine mesh 'Clear Fire Safety Screen' - Almost Invisible!

## Accent Lighting

The accent lighting allows under lighting to shine through the glass fuel bed for additional ambient lighting and to enhance the flame effect. These lights can be controlled from off up to 6 levels in intensity to suit your mood.



## Quiet Blowers

Each Lopi Linear fireplace features quiet dual blowers that are controlled by the GreenSmart® Remote Control which can be turned off completely and up to 6 speeds for complete control.



Lopi 6015 HO GS2 - Platinum Glass, Driftwood, Black Glass Liner & 50mm Trim

# Lopi 3615 HO GS2

The Lopi 3615 HO GS2 is the smallest in the Premium Linear fireplace line-up. Featuring a glass viewing area of 950mm wide, high dancing flames and stunning under lighting, this fireplace packs a large punch for it's size.

The smaller dimensions of the 3615 make it suitable for smaller walls or room proportions. The 3615 has a gas input of 35Mj/hr and ceramic glass for increased radiant heat.

**Heating Capacity:** Up to 158Sqm\*  
**Mj Input:** High 34.8Mj NG & LPG  
Low NG 19.3Mj | LPG 18.5Mj  
**Max kW Output:** 7.2  
**Viewing Screen:** 950mm wide x 400mm high





# Lopi 4415 HO GS2

The 4415 HO GS2 gas fireplace brings you the very best in home heating and style with its sleek, linear appearance and impressively high heat output.

With a long row of dancing flames and built-in fans, the 4415 is not only an excellent heater but a beautiful focal point in your home. Turn on the under-lighting that shines through the translucent glass floor and you've got magic whether the fire is on or off.

This sophisticated fireplace can accompany any architectural style with a selection of fireback liner options along with four media types.

**Heating Capacity:** Up to 195Sqm\*  
**Mj Input:** High 44Mj NG & LPG  
Low 22Mj NG & LPG  
**Max kW Output:** 10.58  
**Viewing Screen:** 1150mm wide x 400mm high



# Lopi 4415ST HO GS2

The Lopi 4415 ST HO GS2 is the double sided linear fireplace with a difference.

This striking double sided fireplace features ceramic glass for increased radiant heat, dual blowers that can be directed equally to both sides of the fireplace or adjusted to blow out of just one side for design flexibility.\*\*

The 4415 ST HO GS2 has a huge viewing area and a heating capacity of up to 185sqm\* so this fireplace will not only look good but work as a heating solution for large or multiple connected rooms.

**Heating Capacity:** Up to 185Sqm\*

**Mj Input:** High 44Mj NG & LPG  
Low 22MJ NG & LPG

**Max kW Output:** 9.38

**Viewing Screen:** 1150mm wide x 400mm high



Lopi 4415ST HO GS2 - Black Glass, Driftwood, 50mm Trim

\*Heating capacity varies according to the size of closed off area, ceiling height, floor plan, insulation and outside air temperature

# Lopi 6015 HO GS2

The Lopi 6015 HO GS2 is the largest in the Lopi linear range of gas fireplaces. The 6015 features almost 1.5 metres of flame, beauty and heat!

With under-lighting, glass and optional media, this fireplace will certainly be a focal point in your home as well as providing heating of up to 260Sqm\*

The 6015 can be turned down by nearly 50% to create a more subtle heat whilst maintaining an impressive flame.

**Heating Capacity:** Up to 260Sqm\*

**Mj Input:** High 59.1Mj NG & LPG  
Low NG 31.9Mj | LPG 31.3Mj

**Max kW Output:** 14.19

**Viewing Screen:** 1556mm wide x 400mm high



# Premium HO Linear Range - Fuel Bed Options

## Rock Embers & Glass Colours (One Option Required)

Your Lopi Premium HO Linear Fireplace ships as standard with your choice of 4 glass colour options for the floor of the fireplace. The glass allows the under Accent Lighting to shine through the shimmering glass floor.

In addition there is an alternative floor option of Rock Embers which provides a beautiful rock base to the floor of your fireplace.

(Note: Rock Embers do not allow Accent Lighting to shine through)



Black Reflective Glass



Platinum Reflective Glass



Bronze Reflective Glass



Cobalt Reflective Glass



Rock Embers

## Additional Media Options



Driftwood Log Fyre-Art™



Driftwood Twig & Stone Fyre-Art™



Traditional Log



Tumbled Stone



Birch Log

# Premium HO Linear Range - Finishing Options

## Fireback Liners

Fireback liners are the rear and side panels within the firebox itself and can enhance the fireplace dramatically. As standard the black painted liners are provided which is a non-reflective black painted finish.

The optional black glass liner seemingly doubles the amount of flames seen within the fire by reflecting the flames on three sides of the firebox. The silver liner option is a more subtle less reflective contemporary finish that can compliment surrounding metallic materials. The Ledgestone fire-back liner provides a stacked stone appearance within the fire that creates interesting shadows around the varying stone edges from the under-lighting and flame.



Black Painted



Black Glass



Silver

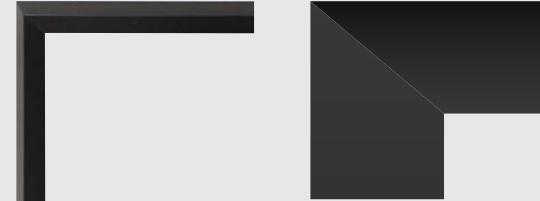


Ledgestone



## Finishing Trims

Complete your premium linear fireplace with a stylish 10mm beveled or 50mm flat finishing trim. Alternatively extend the overall width by using the Gallery face option.



10mm Black Finishing Trim



Gallery Face

## Concrete Mantels

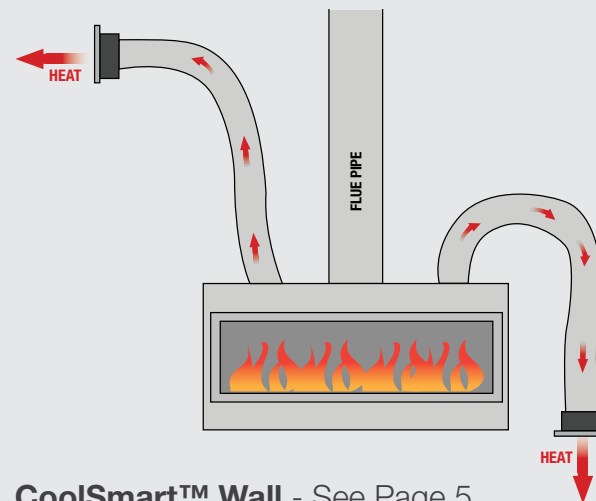
Finish your fireplace with a hand crafted mantel that are designed and created by our in house artists. These non-combustible mantels come in both 5' (1524mm) and 6' (1829mm) lengths, and can be used as a hearth.



See [lopi.com.au](http://lopi.com.au) for more information

## Power Heat Duct - Not available on 4415ST HO GS2

Duct heat in up to two spaces within six metres of your high heat output linear fireplace. Cannot be used in conjunction with CoolSmart Wall Kit.

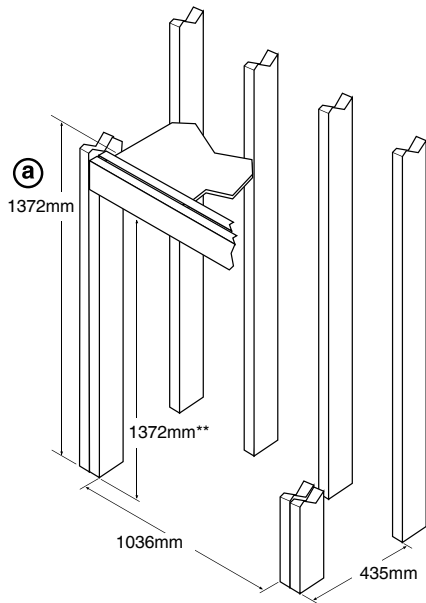
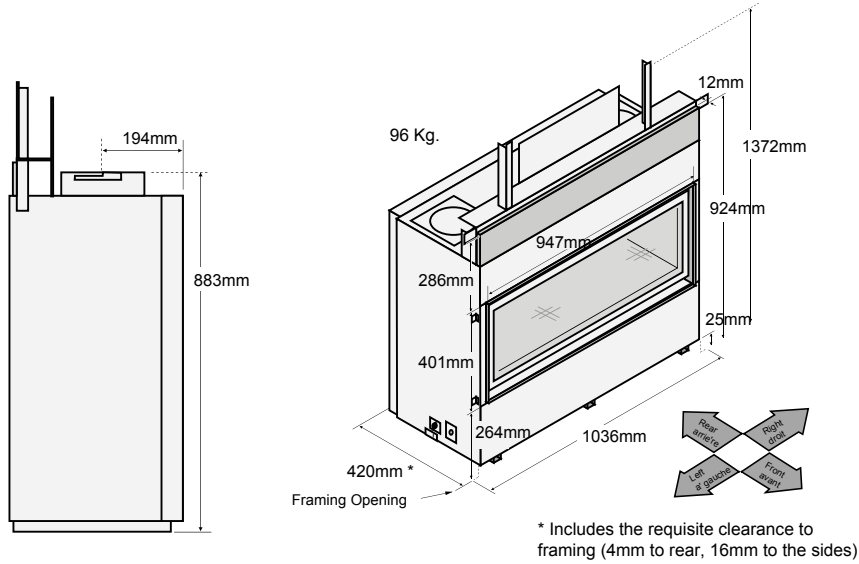


CoolSmart™ Wall - See Page 5

# Premium HO Linear Range - Dimensions

## Lopi 3615 HO GS2

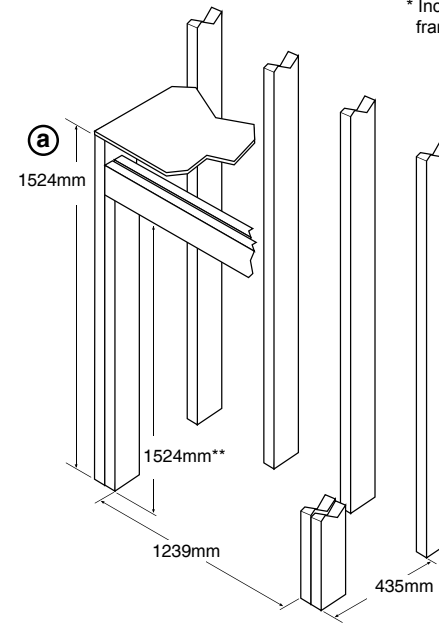
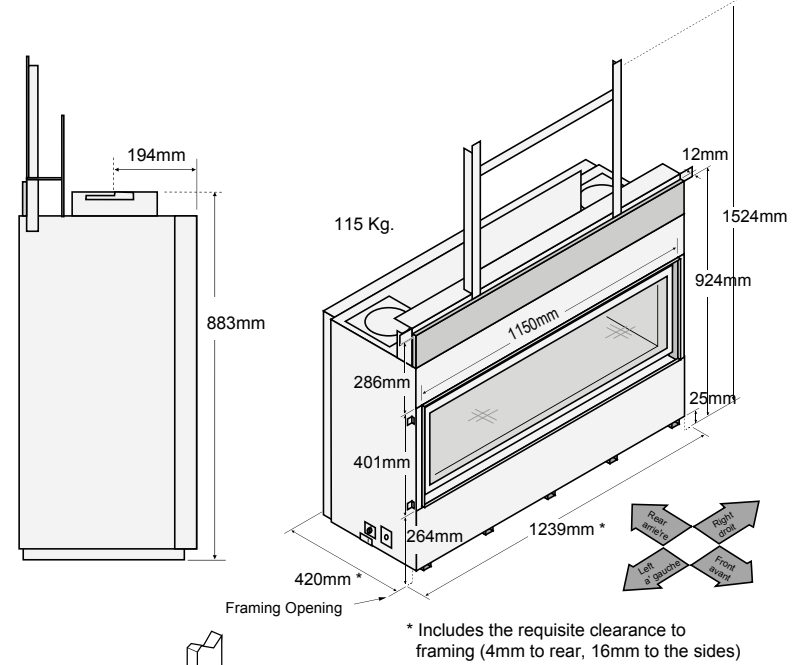
See Installation Manual for full clearances



(a) The fireplace enclosure must be a minimum 1372mm tall (do not build into the fireplace enclosure)

## Lopi 4415 HO GS2

See Installation Manual for full clearances



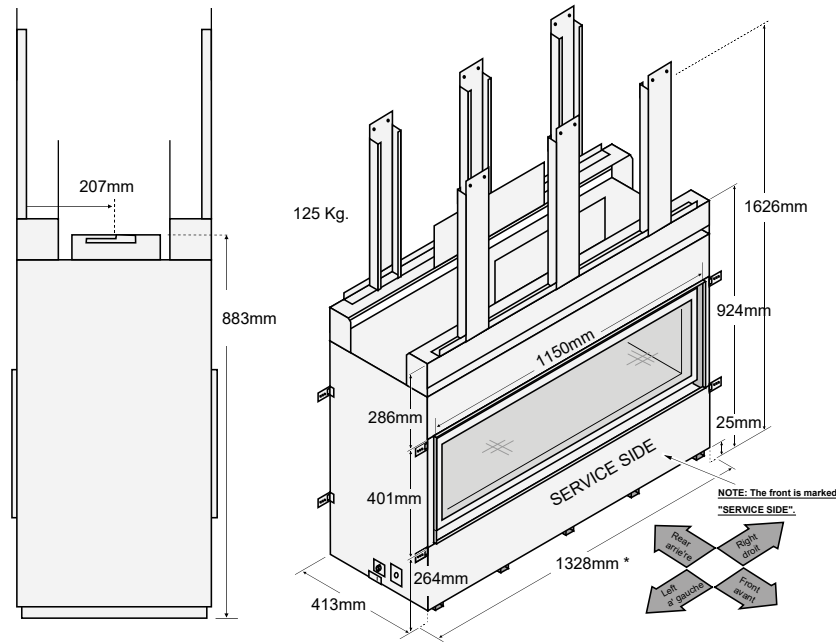
(a) Minimum Enclosure Height 1524mm

(a) The fireplace enclosure must be a minimum 1574mm tall (do not build into the fireplace enclosure)

# Premium HO Linear Range - Dimensions

## Lopi 4415ST HO GS2

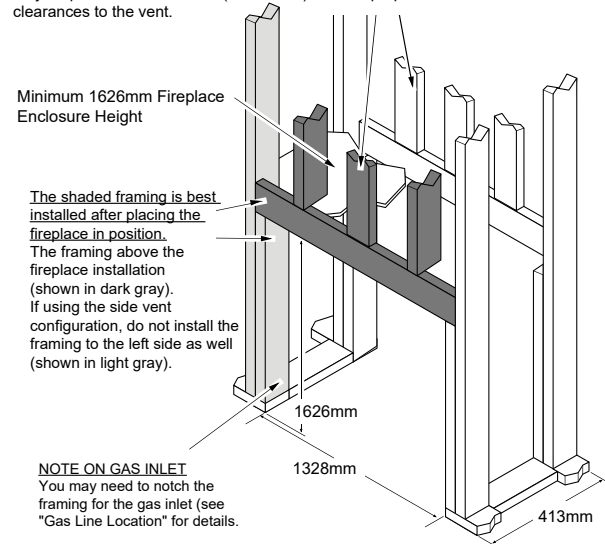
See Installation Manual for full clearances



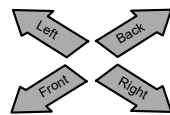
\* Includes the requisite clearance to framing 16mm to the sides

### FRAMING WARNING:

Depending upon vent configuration, framing above the fireplace may be placed flat to the wall (or notched) to allow proper clearances to the vent.



**NOTE ON GAS INLET**  
You may need to notch the framing for the gas inlet (see "Gas Line Location" for details).



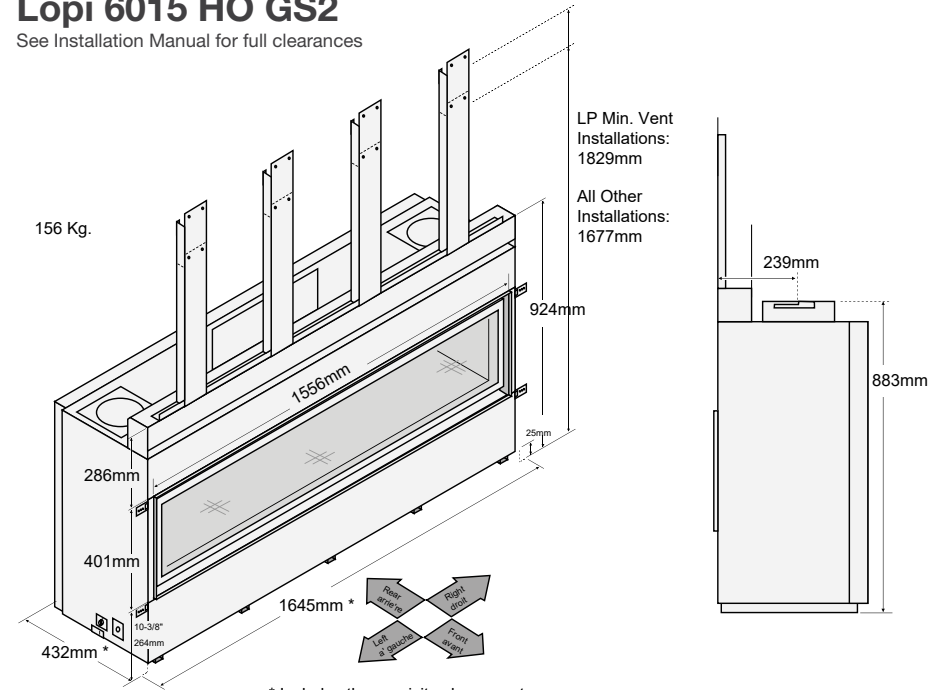
### HINT

The fireplace has a front and back side. The front is marked "ACCESS SIDE" and has latches for servicing. Make sure to place the front in the more servicable location.

\* The 393mm dimension is based upon 10mm drywall around the perimeter of the fireplace on both sides. If using thicker drywall (or other facing), you will need to adjust this dimension.

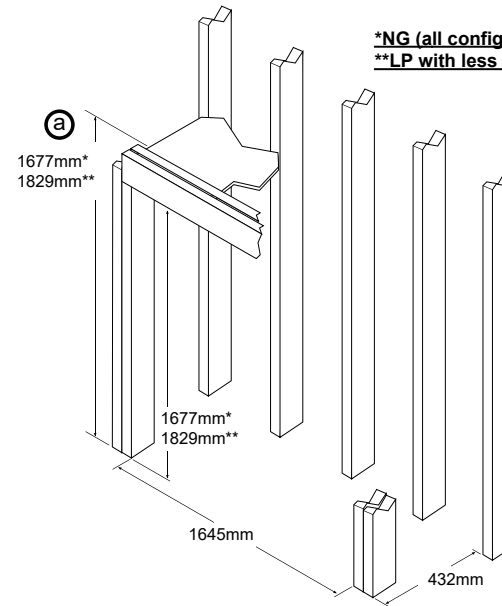
## Lopi 6015 HO GS2

See Installation Manual for full clearances



\* Includes the requisite clearance to framing (4mm to rear, 16mm to the sides)

**\*NG (all configurations) or LP with 914mm Rise (or greater)**  
**\*\*LP with less than 914mm Rise (Minimum of 610mm Rise)**



**(a)** The fireplace enclosure must be a minimum 1677mm\* or 1829mm\*\* tall (do not build into the fireplace enclosure)

**Note:**  
If a painted wall finish is required a non-combustible wall lining must be used in lieu of plasterboard. Please be advised that 'fire rated' plasterboard is not considered as non-combustible wall sheeting

Frame height from base of firebox, add to this any raised base.

Authorised Lopi Dealer:



Proudly Supporting



STEVE WAUGH FOUNDATION  
[www.stevewaughfoundation.com.au](http://www.stevewaughfoundation.com.au)



Distributed in Australia  
by Dragon Wholesaling Pty Ltd  
Ph. 1800 064 234  
[www.lopi.com.au](http://www.lopi.com.au)

**Note:** Improper installation of your gas appliance or failure to operate it in accordance to the guidelines detailed in the installation manual may negate warranty and endanger your home and family. Installation information is available on our website at [www.lopi.com.au](http://www.lopi.com.au)  
We recommend all Lopi appliances be installed and maintained on an annual basis by your local authorised Lopi dealer.

Brochure Version 06/2021