

Lopi™

Premium Gas Inserts



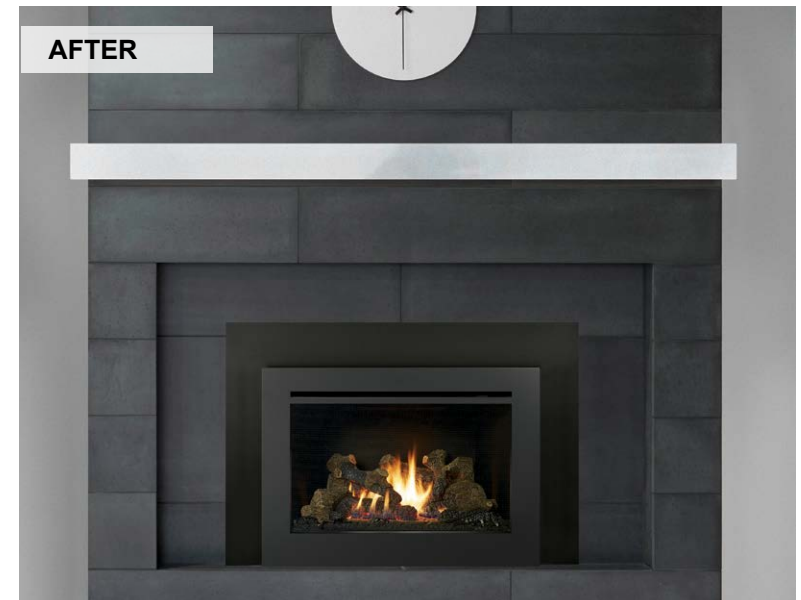
FEATURING
GREEN2SMART™

Turn your old inefficient brick fireplace into a desirable high heat output gas fireplace ...with a Lopi gas insert featuring **GREEN²SMART™** technology

- Step 1.** Start by measuring your existing brick fireplace opening including the height, width & depth
- Step 2.** Select the Lopi Insert that is most suited in size to your measurements
- Step 3.** Choose your size and style of panel (See page 6) to cover the remaining opening in your brickwork.
- Step 4.** Select your preferred face (See page 6)
- Step 5.** Take a few pictures both inside and outside of your chimney and head down to your local Lopi specialist to arrange installation or organise an inspection to check suitability.



Flexible pipes are installed in your chimney and connect to a chimney termination seen left.



See pages 5-7 for firebox dimensions & finishing options



DVST™ EG GS2 Direct Vent Gas Fireplace Insert



Convert your existing fireplace into a beautiful heat source with the Lopi DVS GS2. This model features GreenSmart® 2 technology, Ember-Glo™ Accent Lighting, overhead accent lighting and Ember-Fyre® II theatre burner to maximise the flame height for a beautiful fuller fireplace.

The ceramic glass produces large amounts of radiant heat and the 6 speed fans blow hot convection air at a speed that's comfortable for you. This is an economical gas fireplace insert meaning you'll still enjoy a gorgeous fire but without losing the heat out of your old brick chimney!

This model also has an optional Zero Clearance kit that enables it to be built into a timber frame in a new home or renovation - See the www.lopi.com.au for further information.

Media Options

Lopi DVS EG GS2 Specifications

Mj Input	Heating Capacity
31 Mj High	Up to 140sqm*
12.1 Mj Low NG	7.2kW Max Output
10.3 Mj Low LPG	
Installation Type	Burner Type
Masonry Installation Optional ZC Box	Ember-Fyre® II
Media Type	Remote
Oak Log, Birch Log or Driftwood	GS2 Standard Inclusion
Accent Lighting	Glass Size
Overhead & Ember-Glo™	614mm wide x 325mm high



Oak Log - DVS



Birch Log - DVS



Driftwood Log - DVS

*Heating capacity varies according to the size of closed off area, ceiling height, floor plan, insulation and outside air temperature

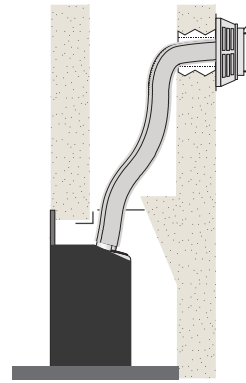


DVL™ EG GS2 Direct Vent Gas Fireplace Insert



See pages 5-7 for firebox dimensions & finishing options

DVS/DVL HORIZONTAL TERMINATION NOW AVAILABLE



The Lopi DVL GS2 with Ember-Glo™ and GreenSmart® 2 technology is the largest Lopi premium gas insert available. The new Ember-Fyre® II theatre style burner maximises the flame appearance whilst minimising gas consumption.

This fireplace features a large viewing area but compact dimensions and will turn your inefficient open fireplace into a convenient source of gas heat. With the combination of convective and radiant heat this gas insert is ideal for medium to large masonry fireplaces, perfect for zone heating in large rooms such as living rooms, great rooms and mid-sized living spaces.

This model can also be built into a timber frame with the additional purchase of a zero clearance kit.

See the www.lopi.com.au for further information.

Media Options



Oak Log



Birch Log



Driftwood Log - DVL

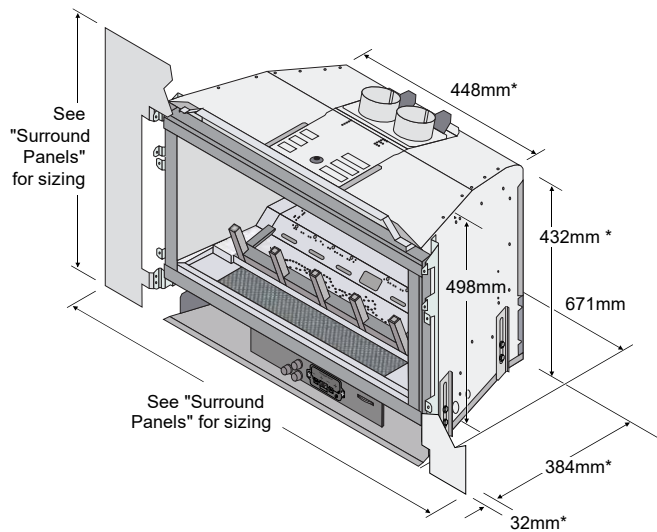
Lopi DVL EG GS2 Specifications

Mj Input	Heating Capacity
40 Mj High	Up to 185sqm*
11.9 Mj Low NG	8.8kW Max Output
7.4 Mj Low LPG	
Installation Type	Burner Type
Masonry Installation	Ember-Fyre® II
Optional ZC Box	
Media Type	Remote
Oak Log, Birch Log	GS2 Standard
Driftwood	Inclusion
Accent Lighting	Glass Size
Overhead & Ember-Glo™	705mm wide x 428mm high

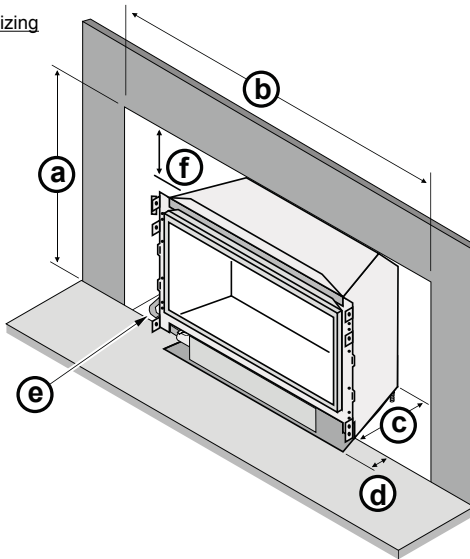
*Heating capacity varies according to the size of closed off area, ceiling height, floor plan, insulation and outside air temperature

Firebox Dimensions & Minimum Masonry Opening

DVS EG GS2



Fireplace Sizing

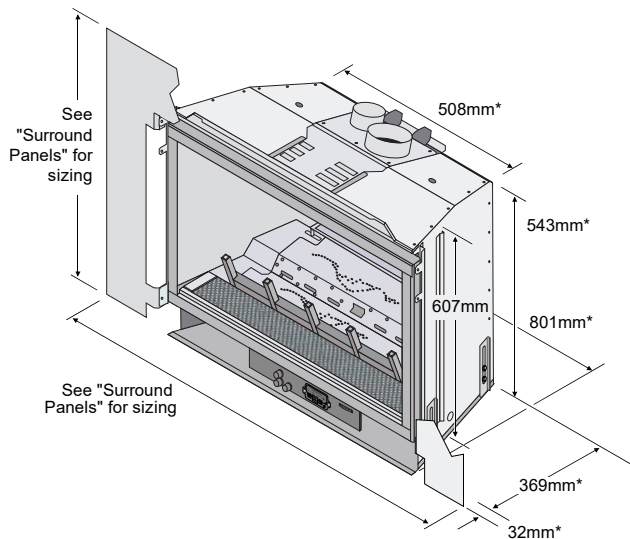


DVS Fireplace Sizing	1 Piece Panel	1 Piece Panel With Trim Extension
Minimum Height (a)	524mm	496mm
Minimum Width (b)	737mm	674mm
Minimum Depth (c)	416mm	385mm
Hearth Extension (d)	0mm	32mm

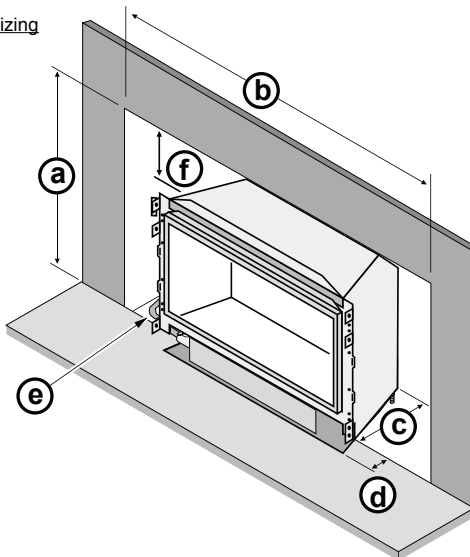
- (e) The gas and electrical line should be installed prior to installing the heater.
- (f) For tight fits under 610mm see the section "Removing the Vent Connector" in manual

See Installation Manual for full clearances

DVL EG GS2



Fireplace Sizing



DVL Fireplace Sizing	1 Piece Panel	1 Piece Panel With Trim Extension
Minimum Height (a)	632mm	604mm
Minimum Width (b)	826mm	800mm
Minimum Depth (c)	400mm	369mm
Hearth Extension (d)	0mm	32mm

- (e) The gas and electrical line should be installed prior to installing the heater.
- (f) For tight fits under 711mm see the section "Removing the Vent Connector" in manual

See Installation Manual for full clearances

Dimensions are subject to change at any time. Please see appropriate installation manual for full installation details

Finishing Options - *Lopi DVS, DVL GS2 Models*

Faces (Required)

A face is required for your Lopi insert, choose from the designs featured below:



Times Square



Profile Black



Profile Stainless Steel



Wilmington Face Black



Metropolitan



Rosario (DVL Only)



Cypress (DVS Only)

Face Dimensions

Face Type	DVS EG GS2	DVL EG GS2
Times Square™	528mm high x 770mm wide	631mm high x 863mm wide
Profile	520mm high x 790mm wide	616mm high x 902mm wide
Wilmington	571mm high x 819mm wide	685mm high x 914mm wide
Metropolitan	558mm high x 762mm wide	673mm high x 882mm wide
Rosario	547mm h x 812mm wide	660mm h x 908mm wide
Cypress	635mm h x 965mm wide	763mm h x 1070mm wide

Finishing Panels (Optional)

Finishing panels are available in 2 different sizes for each model.

The primary purpose of a panel is to cover the gap or remaining space between the face (seen above) and the masonry opening in your fireplace.

Also available is a 4 sided panel providing additional coverage of 100mm below the firebox for a slightly elevated installation.



Times Square Face - 1 Piece Finishing Panel



Times Square Face - 4 Sided 1 Piece Finishing Panel

Finishing Panel Dimensions

Panel	DVS EG GS2	DVL EG GS2
Small Panel	635mm high x 965mm wide	775mm high x 1066mm wide
Large Panel	724mm high x 1016mm wide	864mm high x 1118mm wide
4 Sided Panel	755mm high x 965mm wide	895mm high x 1066mm wide

Finishing Options - *Lopi DVS, DVL GS2 Models*

Fireback Liners (Optional)

A fireback liner is made up of 3 panels (rear and 2 sides) inside the firebox and can greatly enhance your premium gas insert. The liners can also compliment your homes decor as well as help the flames and overhead light reflect and bounce light around the interior adding further to the realism to the fire.



Black Glass (Reflective)



Grey Stone



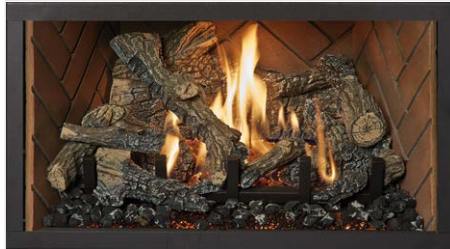
Ledgestone



Straight Brick



Handmade Brick



Herringbone Brick

Lopi Premium Gas Insert Features

GreenSmart® 2 Technology

Fully functioning GS2 technology allowing you to control every feature of your premium Lopi gas insert. See page 8 for details

Tall Dancing Flames

The premium Lopi gas inserts feature the Ember-Fyre® II theatre style burner for a fuller increased flame presence. Ember-Glo™ lighting emulates glowing embers at the floor of the fire and the flame is tiered up from there to fill the firebox with flame.

Accent Lighting

As well as Ember-Glo™ lighting there is an additional down light that highlights the detail in the log-set, setting the mood by adding perceived additional depth to the fire.



Ember-Glo™ Close-up

Safety Screen

Safety screens are included as standard and feature an extremely fine mesh called 'Clear-Fyre' which is almost invisible!



Clear-Fyre Safety Screen

Multiple Log-Set & Face Options

Personalise your Lopi Premium Gas Insert by choosing from three highly detailed log-sets and seven face options to suit your decor.

Quiet Blowers

Every premium Lopi fireplace features quiet 6 speed dual fans that are controlled by your GreenSmart® 2 remote control. The fans can even be turned off completely when relaxing in front of the TV, entertaining or reading providing complete control.

Ceramic Glass - High Heat Output

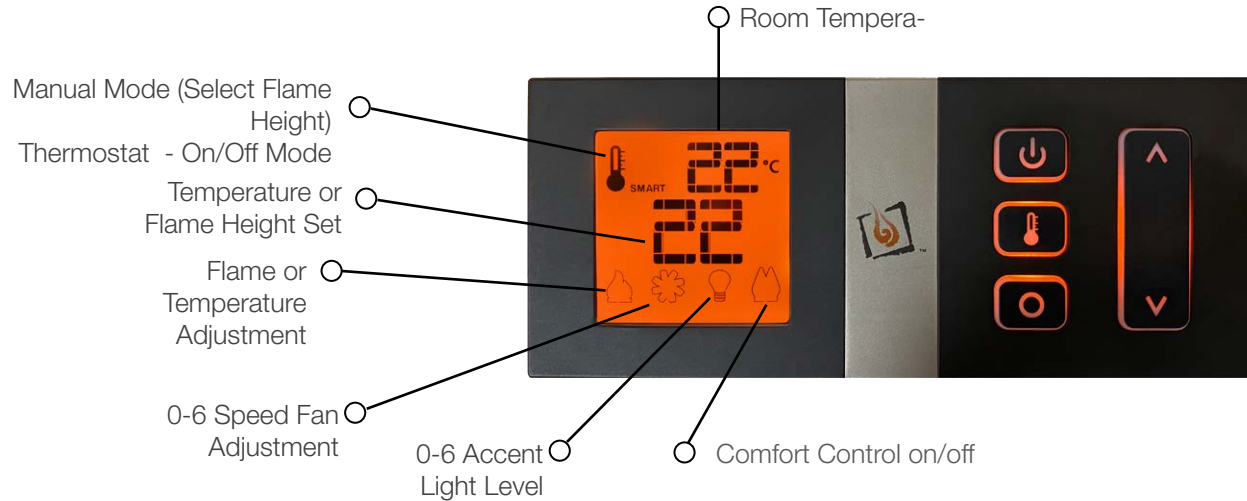
All Lopi gas inserts feature ceramic glass which increases the radiant heat produced from your fireplace. The combination of ceramic glass, gas input and powerful fans make these fireplaces unbeatable heaters when required.

Switch off the fans and benefit from the silent radiant heat.

GreenSmart® 2 Features

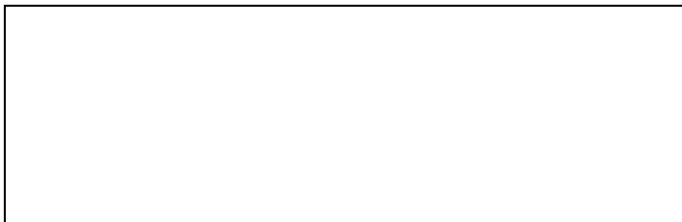


Every Premium Lopi fireplace features GreenSmart® 2 Technology - the most advanced burner system available. The GreenSmart® 2 system allows full control of your Premium Lopi fireplace by remote control. You can select a thermostat mode, flame height, accent light level or choose between the six fan speeds or even switch



GreenSmart 2™ Featuring

- **GreenSmart® Remote** - A remote control supplied as standard allowing you to control the GreenSmart 2™ features
- **GreenSmart® Pilot** - Both electronic (IPI) & continuous (CPI) pilot modes
- **Accent lighting** - Adding a warm glow to your fire for added atmosphere
- **Smart or On/Off Thermostat Modes** - An option that automatically adjusts flame height to a set temperature and switch on/off



Proudly Supporting



STEVE WAUGH FOUNDATION
www.stevewaughfoundation.com.au



Distributed in Australia
by Dragon Wholesaling Pty Ltd
Ph. 1800 064 234
www.lopi.com.au

Note: Improper installation of your gas appliance or failure to operate it in accordance to the guidelines detailed in the installation manual may negate warranty and endanger your home and family. Installation information is available on our website at www.lopi.com.au We recommend all Lopi appliances be installed and maintained on an annual basis by your local authorised Lopi dealer.